

IBC HARDCOVER

SKU: 4070

READ ALL ASSEMBLY INSTRUCTIONS BEFORE USE

ENPAC RECOMMENDS:

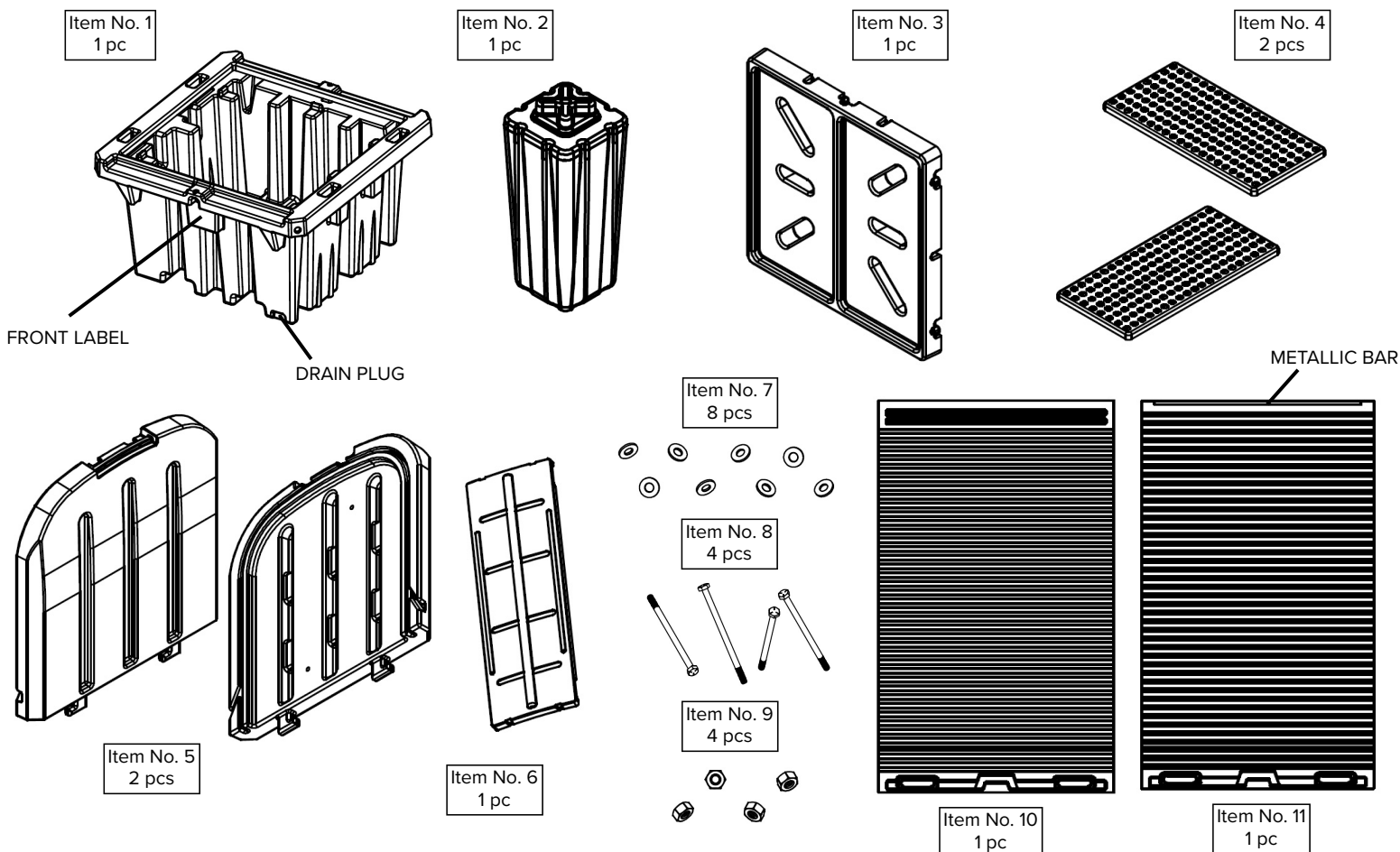
- ◆ THIS PRODUCT SHOULD BE ASSEMBLED WITH THREE PEOPLE.
- ◆ UPON RECEIVING THIS PRODUCT YOU SHOULD MAKE SURE THAT ALL PARTS ARE PRESENT PER THIS INSTRUCTION SHEET BEFORE ASSEMBLING.
- ◆ AFTER USING YOUR SPILL PALLET HARDCOVER, YOU SHOULD COAT THE TAMBOUR DOOR TRACKS WITH SILICONE (ANY OFF THE SHELF SILICONE WILL BE FINE) FROM TIME TO TIME TO ENSURE SMOOTH SLIDING DOORS.

SHIPPED PRODUCT CONTAINS THE FOLLOWING:

ITEM NO.	QTY	DESCRIPTION	WEIGHT
1	1	SUMP	175 LBS.
2	1	CENTER TOWER	16 LBS.
3	1	PALLET	72 LBS.
4	2	GRATE	18 LBS.
5	2	SIDEWALL	78 LBS.
6	1	UPPER BRACE	15 LBS.
7	8	1/4-20 WASHER	
8	4	1-4-20 BOLT 3-1/2" LONG	
9	4	1/4-20 NUT	
10	1	OUTER TAMBOUR DOOR	30 LBS.
11	1	INNER TAMBOUR DOOR	30 LBS.

RECOMMENDED TOOLS:

- 7/16" SOCKET DRIVE
- 7/16" WRENCH
- HAMMER
- STEP LADDER



ASSEMBLY INSTRUCTIONS:

1) PLACE THE CENTER TOWER (ITEM NO. 2) INTO THE CENTER OF THE SUMP (ITEM NO. 1). BE SURE THAT THE CENTER TOWER IS LOCATED BY THE ALIGNMENT RIBS WITHIN THE SUMP FLOOR (FIGURE A & B).

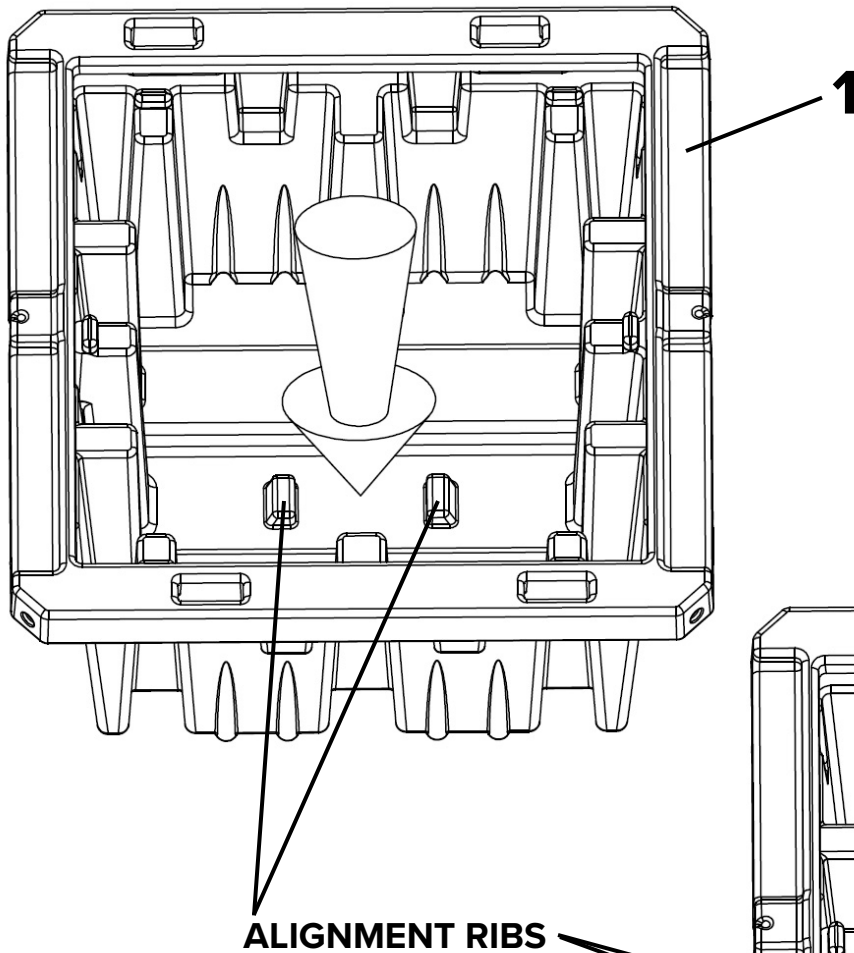
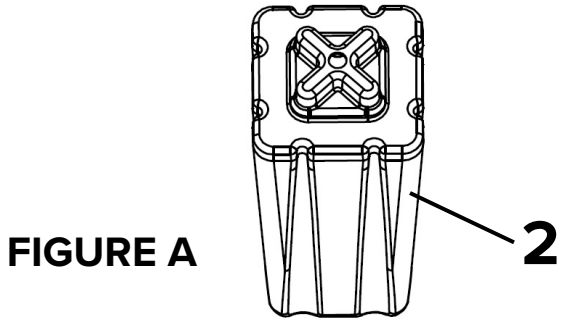
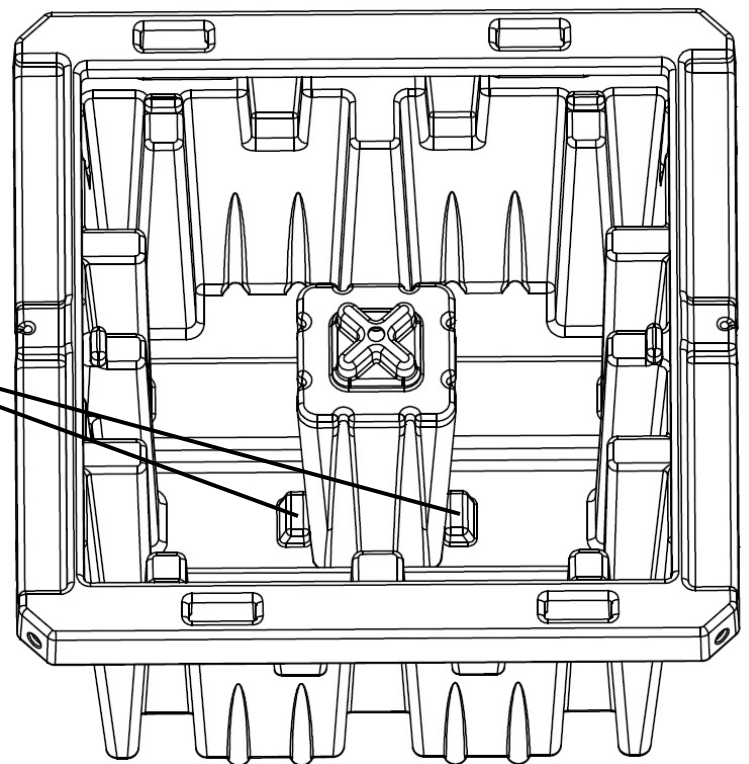


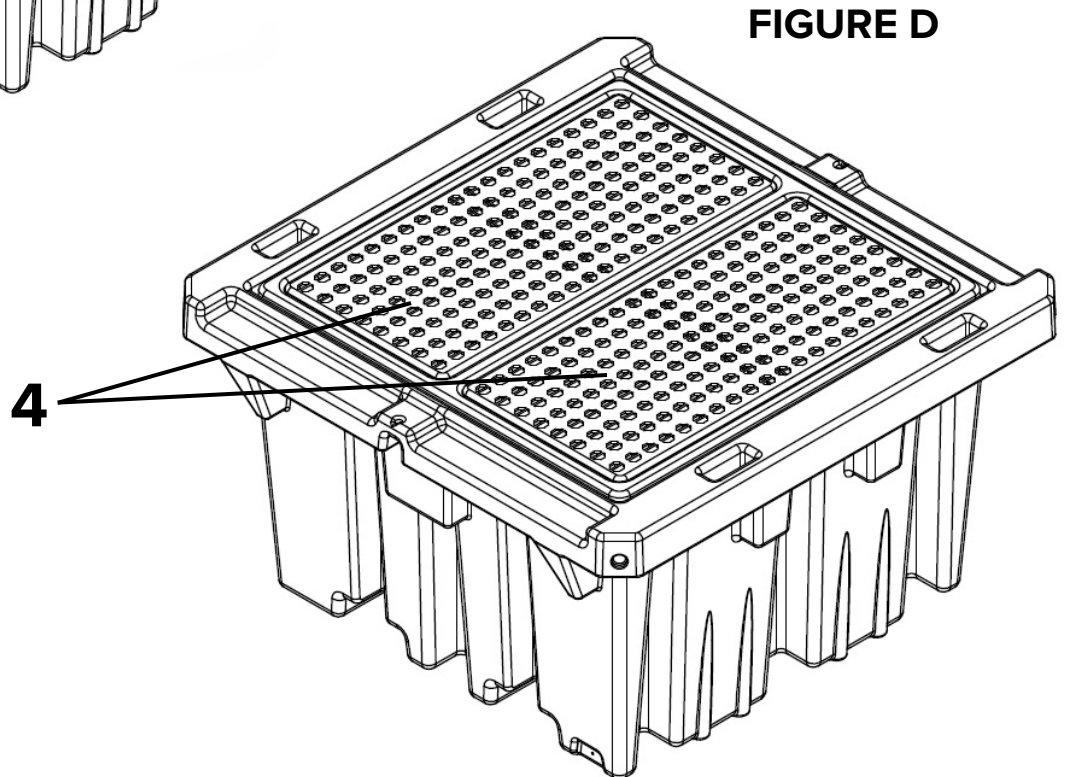
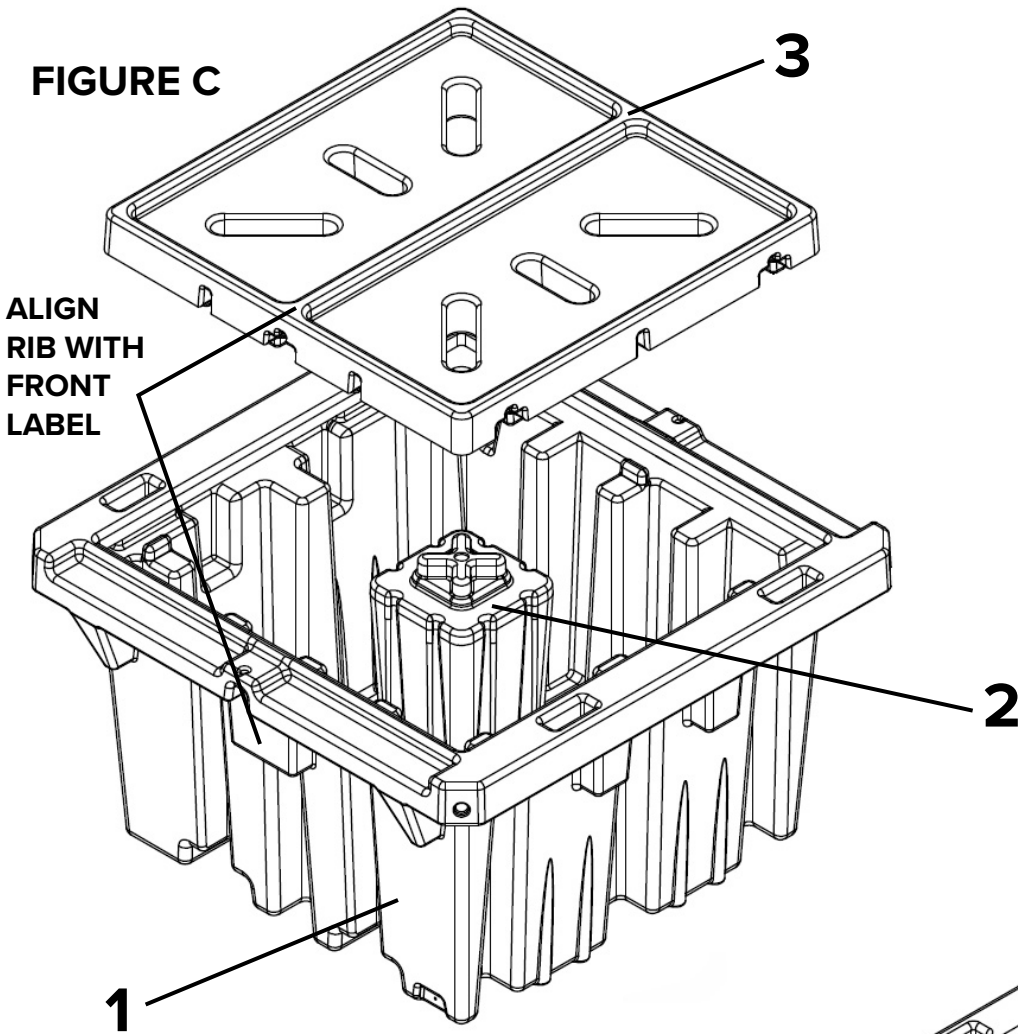
FIGURE B



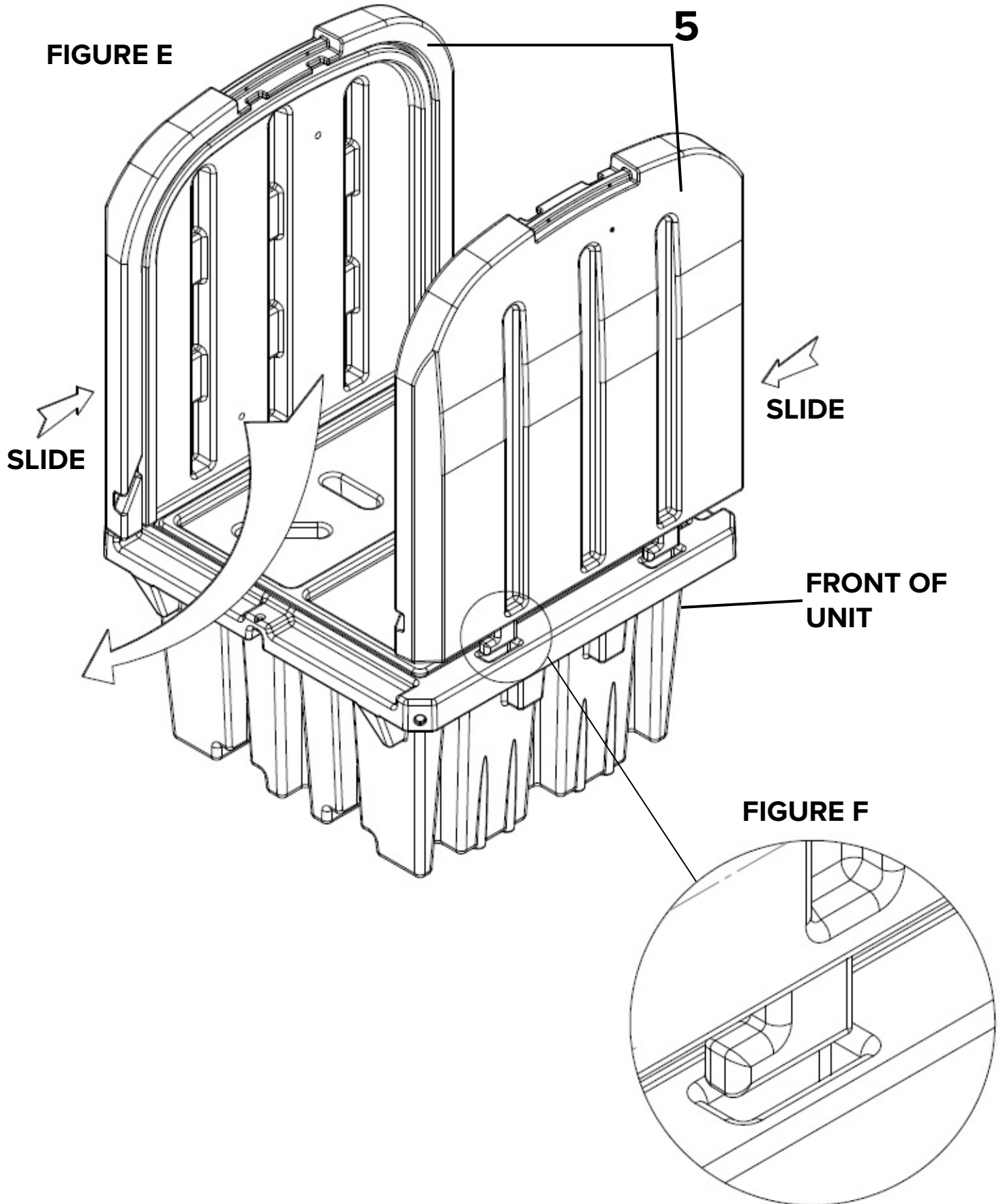
2) PLACE PALLET (ITEM NO. 3) ONTO THE ASSEMBLED SUMP (ITEM NO. 1). ALIGN THE PALLET NOTCH TO THE SUMP AS SHOWN IN FIGURE C. ENSURE THE CENTER TOWER NESTS INTO THE UPPER RECESSES OF THE PALLET.

IF NEEDED, THE CENTER TOWER CAN BE ADJUSTED BY REACHING THROUGH THE SLOTS OF THE PALLET.

3) PLACE TWO GRATES (ITEM NO. 4) ONTO THE TOP OF THE PALLET AS SHOWN IN FIGURE D.



4) **TWO PEOPLE ARE REQUIRED FOR THIS STEP.** PLACE THE SIDEWALL (ITEM NO. 5) ON TO THE ASSEMBLED SUMP. PRESS THE SIDEWALL HOOKS INTO THE SLOTS AS SHOWN IN FIGURE E & F. LOCK THE SIDEWALLS INTO PLACE BY SLIDING THEM FORWARD WITHIN THE SLOTS OF THE SUMP.



- 5) PLACE UPPER BRACE (ITEM NO. 6) ON TO WALLS AND PRESS FIRMLY INTO PLACE.
- 6) ALIGN SCREW HOLES WITH WALLS AND UPPER BRACE (FIGURE G).
- 7) INSERT WASHERS INTO BOLTS AND SLIDE THROUGH WALL AND UPPER BRACE HOLES (FIGURE H). YOU MAY NEED TO HAMMER IN THE BOLTS.
- 8) **TWO PEOPLE ARE REQUIRED FOR THIS STEP. THE PERSON ON THE OUTSIDE SHOULD BE ON A STEP LADDER.** ATTACH ANOTHER WASHER AND NUT ONTO THE BOLTS FROM THE INSIDE AND TIGHTEN SNUGLY (FIGURE J). **DO NOT OVER TIGHTEN.**

FIGURE G

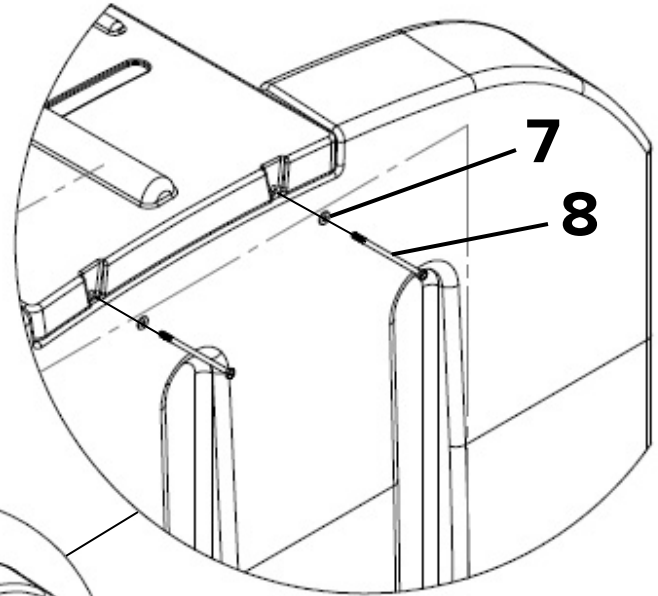
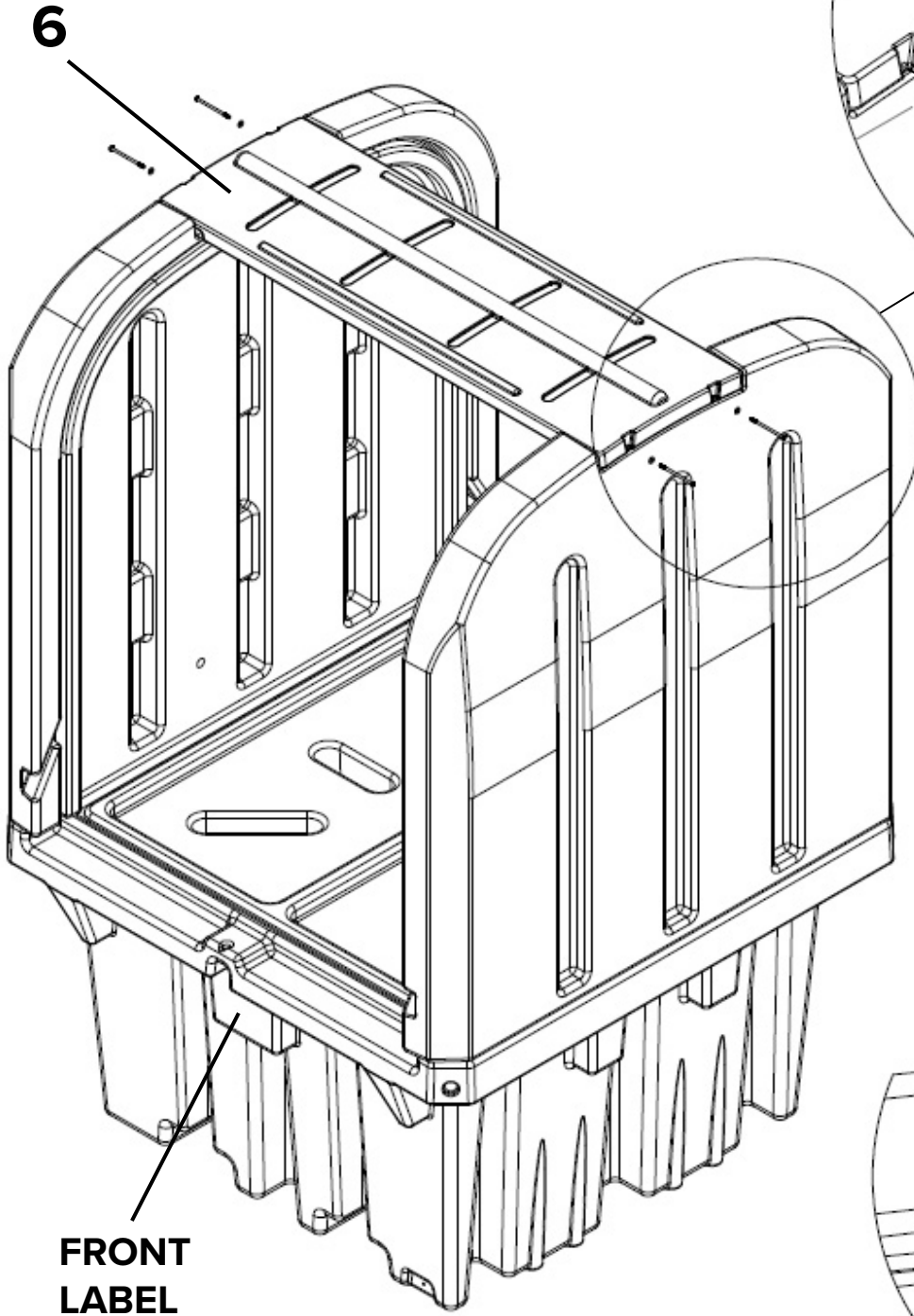
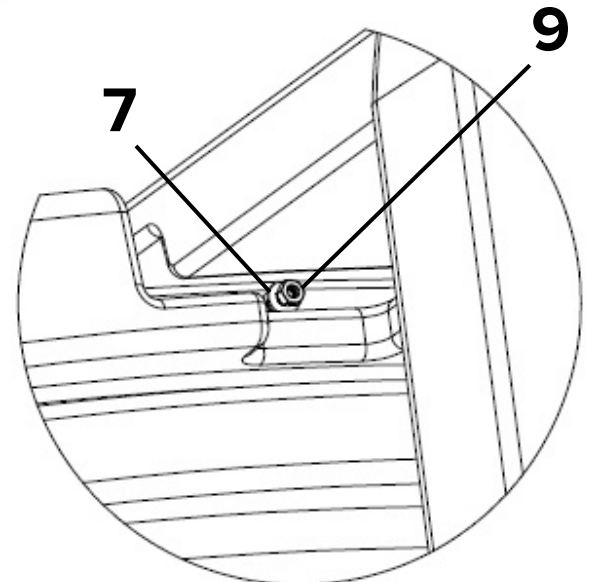


FIGURE H

FIGURE J



- 9) **THREE PEOPLE ARE REQUIRED FOR THIS STEP.** INSERT OUTER TAMBOUR DOOR (ITEM NO. 10) INTO THE OPEN CHANNEL OF THE SIDEWALL IN THE FRONT OF THE UNIT (FIGURE K & J) (THE LABEL IS THE FRONT OF THE UNIT). TWO PEOPLE SHOULD BE ON EITHER SIDE OF THE DOOR, WITH THE THIRD PERSON INSIDE THE UNIT. SLOWLY PULL THE DOOR UP INTO THE CHANNEL.
- 10) ONCE THE DOOR HAS BEEN FULLY PLACED IN THE CHANNEL THE DOOR SHOULD IN A CLOSED POSITION.
- 11) **THREE PEOPLE ARE REQUIRED FOR THIS STEP.** INSERT INNER TAMBOUR DOOR (ITEM NO. 11) INTO THE OPEN CHANNEL OF THE SIDEWALL IN THE BACK OF THE UNIT (FIGURE K). TWO PEOPLE SHOULD BE ON EITHER SIDE OF THE DOOR, WITH THE THIRD PERSON INSIDE THE UNIT. SLOWLY PULL THE DOOR UP INTO THE CHANNEL UNDER THE OUTER DOOR (ITEM NO. 10). THE PERSON INSIDE WILL NEED TO LIFT THE OUTER DOOR TO SLIDE THE INNER DOOR UNDERNEATH.
- 12) UNIT IS NOW FULLY ASSEMBLED (FIGURE K).

